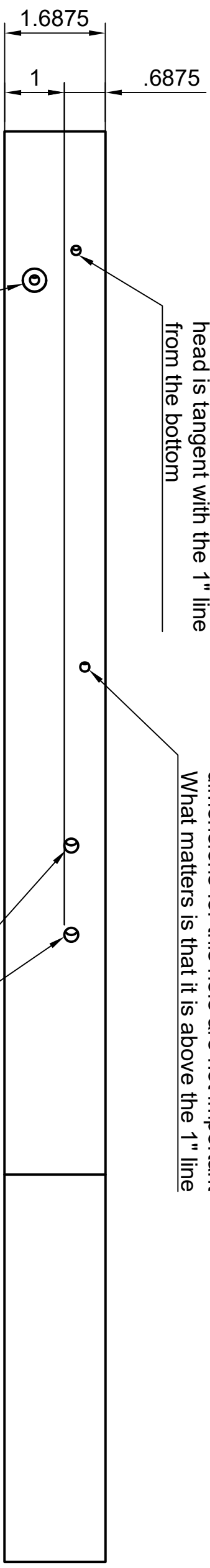


Offset so that screw/capstan head is tangent with the 1" line from the bottom

dimensions for this hole are not important What matters is that it is above the 1" line

Dimensions for the hole are not important. What matters is that it matches the screw used.

These holes' dimensions need to match that of the trapwork holdowns recycled for use in this jig. The dimension that matters is that it is tangent to the 1" line



Dept.	Technical reference	Created by	Approved by
		Zackery Hardy 9/14/2021	
	Document type	Document status	
	Title	DWG No.	
	Sustain taper jig		
Rev.	Date of issue	Sheet	
		1/1	