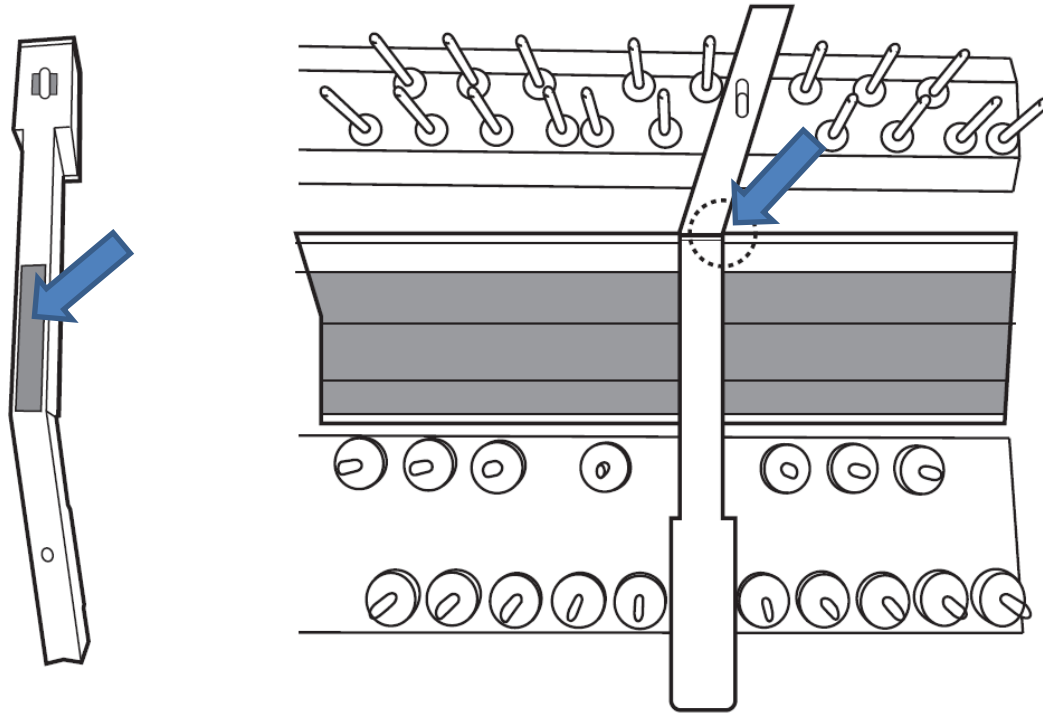
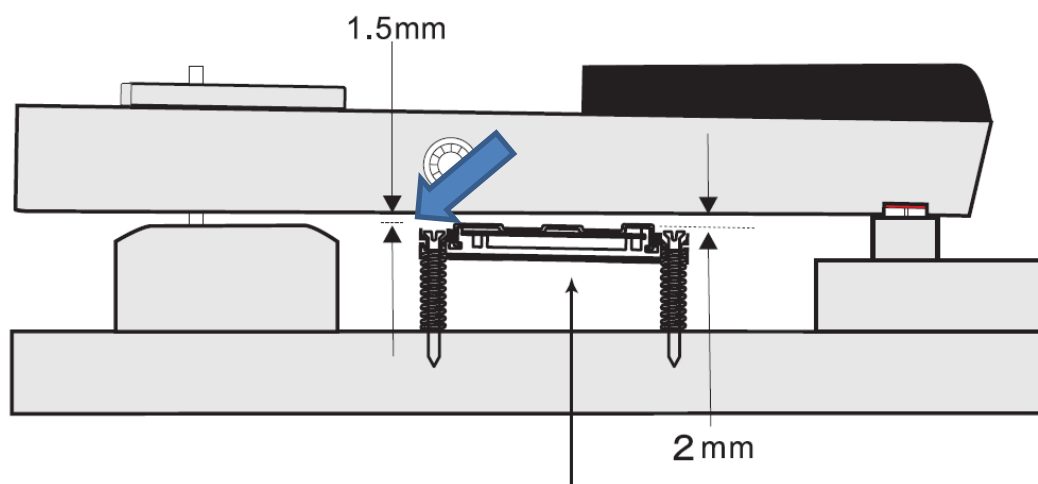


## How to Install the new Black Key Sensor Rail

1. Reflection Tape at the bottom of every Key



2. Place the “Sensors” of the key sensor rail under the flecion parts of the keys



3. Place the key sensor rail as high as possible to the key bottom when pressed.  
It's well placed just if you don't hear the touching sound of sensor rail and key bottom.